

84B522336AB
REV. 01. 36 36

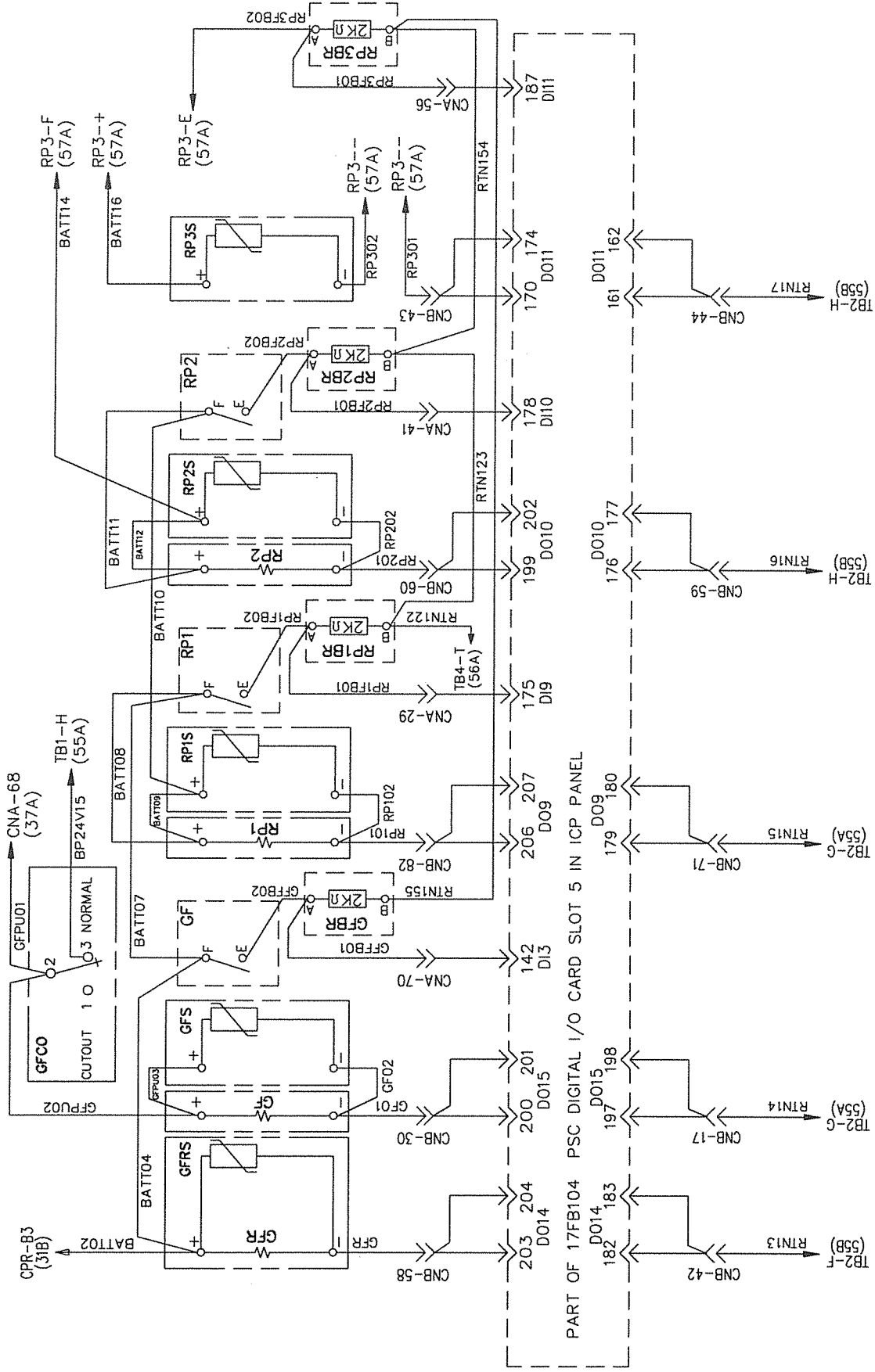
PSC DIGITAL I/O CARD: RELAYS & CONTACTORS

SECT. 35A

SECT. 35B

PSC DIGITAL I/O CARD: RELAYS & CONTACTORS

THIS DRAWING, WHICH CONTAINS PROPRIETARY INFORMATION, IS THE PROPERTY OF GENERAL ELECTRIC COMPANY. IT IS TO BE REPRODUCED IN ANY MANNER WITHOUT THE WRITTEN PERMISSION OF GENERAL ELECTRIC COMPANY.



PART OF 17FB104 PSC DIGITAL I/O CARD SLOT 5 IN ICP PANEL

TITLE SYSTEM SCHEMATIC		APPROVAL R. 6.3.05		ERE PLANT 84B522336AB	
FIRST MADE FOR GE240AC™		R. 6.3.05		REV. 01. 36 36	
MADE BY CDI-CADD		CDI-CADD		CDI	
ISSUE		CONTROL		RC	